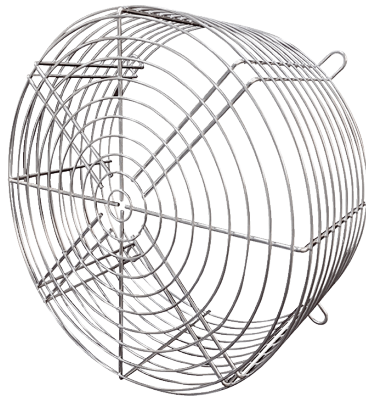


SGCI v 100



Short description

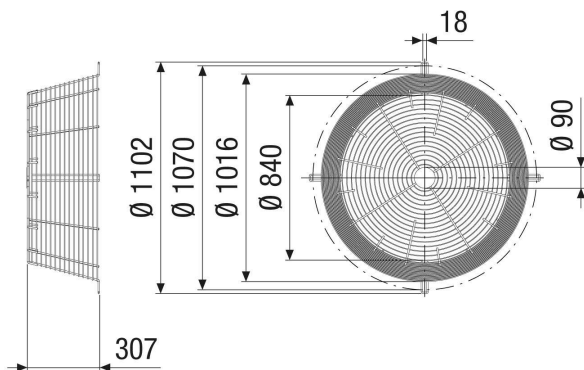
Contact protection grille for free inlet in conical design, galvanised, DN 1000

Article number 0073.0675

Technical data

Installation site	Fans
Material	Steel, galvanised
Colour	Silver
Weight	9,6 kg
Weight including packaging	9,6 kg
Nominal size	1.000 mm
Width	307 mm
Height	1.016 mm
Depth	307 mm
Width with packaging	307 mm
Height with packaging	1.016 mm
Depth with packaging	307 mm
Packing unit	1 piece
Range	C
GTIN (EAN)	4012799736752

Dimensioned drawing [mm]



SGCI v 100

