

# SGCI v 125



## Short description

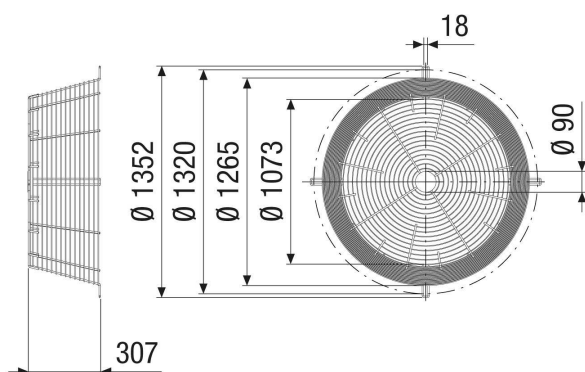
Contact protection grille for free inlet in conical design, DN 1250

Article number 0073.0677

## Technical data

Installation site	Fans
Material	Steel, galvanised
Colour	Silver
Weight	14,8 kg
Weight including packaging	14,8 kg
Nominal size	1.250 mm
Width	307 mm
Height	1.265 mm
Depth	307 mm
Width with packaging	307 mm
Height with packaging	1.265 mm
Depth with packaging	307 mm
Packing unit	1 piece
Range	C
GTIN (EAN)	4012799736776

## Dimensioned drawing [mm]



# SGCI v 125

