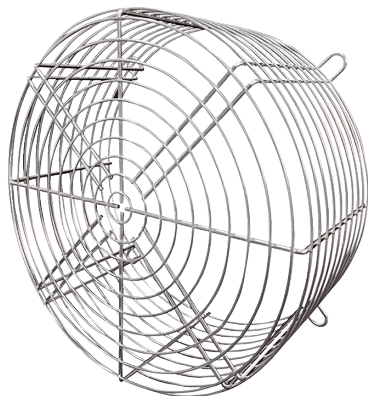


SGCI v 90



Short description

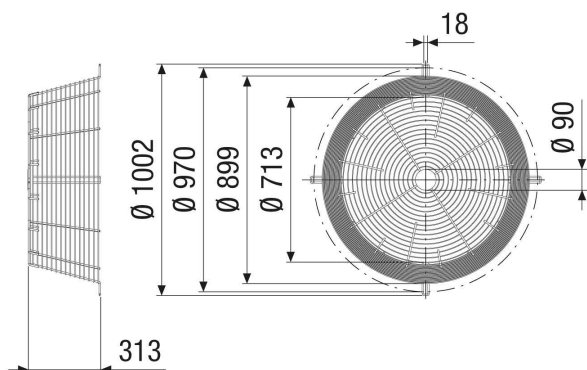
Contact protection grille for free inlet in conical design, galvanised, DN 900

Article number 0073.0674

Technical data

Installation site	Fans
Material	Steel, galvanised
Colour	Silver
Weight	8,3 kg
Weight including packaging	8,3 kg
Nominal size	900 mm
Width	313 mm
Height	898 mm
Depth	313 mm
Width with packaging	313 mm
Height with packaging	898 mm
Depth with packaging	313 mm
Packing unit	1 piece
Range	C
GTIN (EAN)	4012799736745

Dimensioned drawing [mm]



SGCI v 90

