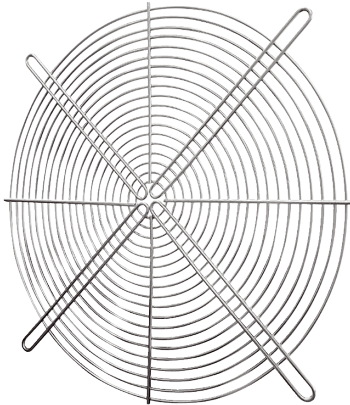


SGRI v 31



Short description

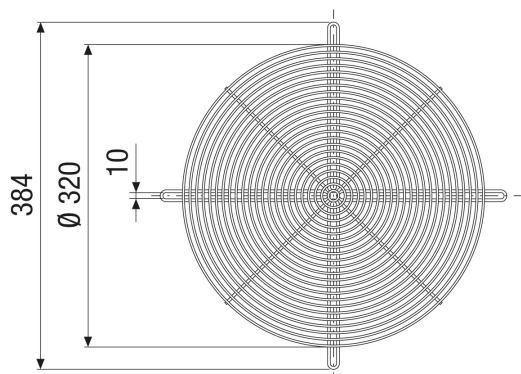
Round protective grille, metal, grey, galvanised, DN 315

Article number 0073.0656

Technical data

Installation site	Fans
Material	Steel, galvanised
Colour	Silver
Weight	0,5 kg
Weight including packaging	0,5 kg
Nominal size	315 mm
Width	320 mm
Height	384 mm
Depth	5 mm
Width with packaging	320 mm
Height with packaging	384 mm
Depth with packaging	5 mm
Packing unit	1 piece
Range	C
GTIN (EAN)	4012799736561

Dimensioned drawing [mm]



SGRI v 31

