

TK 10



Short description

Disk valve for supply and exhaust air, plastic, with mounting ring, DN 100 for domestic ventilation, max. 30 m³/h

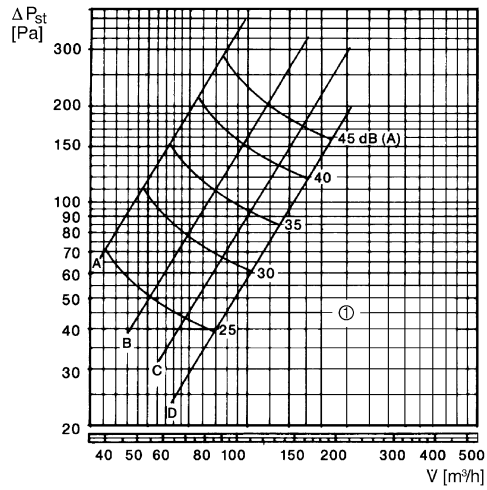
Article number 0151.0192

Technical data

Air direction	Ventilation and air extraction
Max. volumetric flow	30 m³/h
Material	Synthetic material, antistatic
Colour	Pure white, similar to RAL 9010
Weight	0,13 kg
Weight including packaging	0,14 kg
Suitable for nominal size	100 mm
Width	150 mm
Height	150 mm
Depth	51 mm
Width with packaging	155 mm
Height with packaging	155 mm
Depth with packaging	70 mm
Packing unit	1 piece
Range	C
GTIN (EAN)	4012799511922

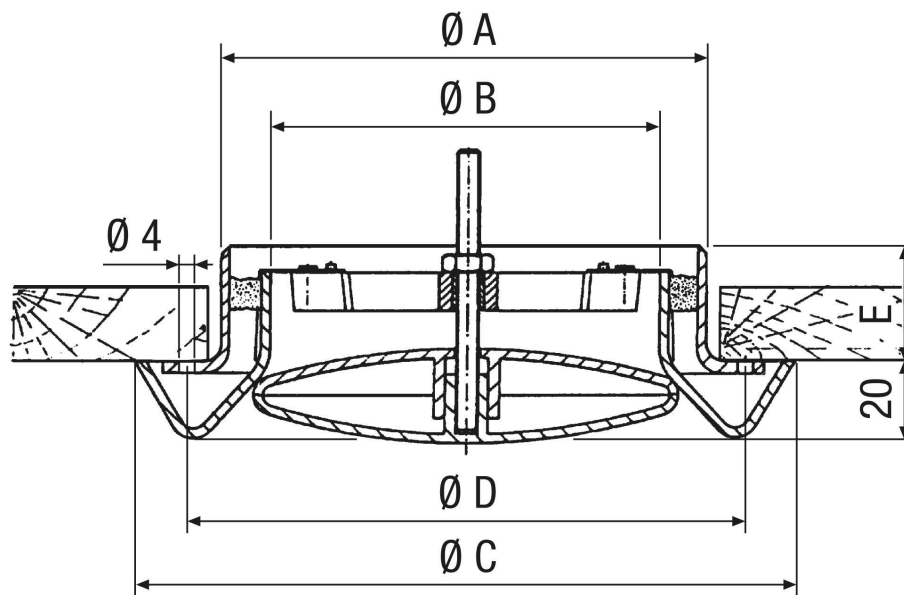
TK 10

Characteristic curve Pressure difference and acoustic data: TK 10



① 20 revolutions, 1 mm stroke height per revolution
 A: 1/4 open, B: 1/2 open, C: 3/4 open, D: open all the way

Dimensioned drawing [mm]





TK 10

A	B	C	D	E
99	80	150	119	31