

Trio QD-AR



Short description

Very quiet and compact decentralised unit through which air flows crosswise, exhaust air to the right, with effective heat and humidity recovery, EC fans with constant volumetric flow regulation, connection of a small channel system, 40 – 120 m³/h.

Article number 0095.0122

Technical data

Air flow volume	40 m ³ /h / 120 m ³ /h
SEC average	-36,14 kWh/(m ² *a)
Energy efficiency class	A
Type of voltage	Alternating current
Rated voltage	230 V
Frequency	50 Hz/60 Hz
SPI value in accordance with DIN EN 13141-7 (A7)	0,28 Wh/m ³
Power consumption in accordance with DIN EN 13141-7 (A7)	23 W
Stand-by power consumption	< 1 W
I _{max}	1 A
Degree of protection	IP 40
DIBT approval	No
PHI certification	No
Material	Sheet steel, powder coated
Heat exchanger material	Synthetic material
Inner coating material	Foam (plastic)
Colour	granite grey, similar to RAL 7026
Viewing cover	Pure white, similar to RAL 9010
Weight	50 kg
Weight including packaging	52 kg
Filter class	ISO ePM10 ≥ 50 % (M5) / ISO ePM1 ≥ 50 % (F7)
Connection diameter	125 mm
Width	650 mm
Height	220 mm
Depth	1.100 mm
Width with packaging	720 mm
Height with packaging	300 mm
Depth with packaging	1.120 mm
Airstream temperature at I _{Max}	-20 °C up to 50 °C

Trio QD-AR

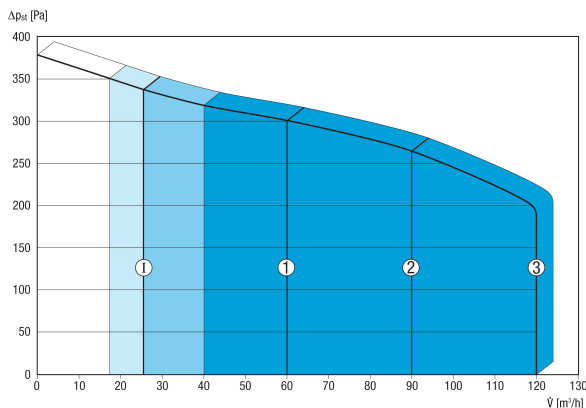
Max. degree of heat provision in accordance with DIN EN 13141-7 (A7)	82 %
Heat exchanger construction type	Enthalpy cross-counterflow
Bypass	No
Frost protection	No
Enthalpy heat exchanger	Yes
Antifreeze circuit	Yes
Summer circuit	ECO exhaust air / ECO supply air
Filter monitoring	with time control
Humidity control	integrated
CO ₂ regulation (optional)	CO ₂ sensor for Trio
Air quality control (optional)	VOC sensor for Trio
KNX connection (optional)	K-SM
MODBUS interface	integrated
Control unit included in scope of delivery.	RLS 1 WR, App
Control unit (optional)	RLS T1 WS
EnOcean wireless integration (optional)	E-SM
Mobile control	Yes
Packing unit	1 piece
Range	K
GTIN (EAN)	4012799951223

Sound power level in octave range

	63 Hz	125 Hz	250 Hz	500 Hz	1 kHz	2 kHz	4 kHz	8 kHz	Total
L_{WA2} (dB(A))	24	35	35	30	29	20	14	4	39

L_{WA2}= housing sound power level in dB.
 Operating point: Air volume of 84 m³/h

Characteristic curve



The figures shown indicate the pre-set ventilation levels ("factory settings").

1 = 60 m³/h, reduced ventilation (RV)

2 = 90 m³/h, nominal ventilation (NV)

3 = 120 m³/h, intensive ventilation (IV)

I = Interval or "humidity protection operation" depending on RV

Individual settings available:

RV = 40 m³/h - 120 m³/h

NV = 40 m³/h - 120 m³/h

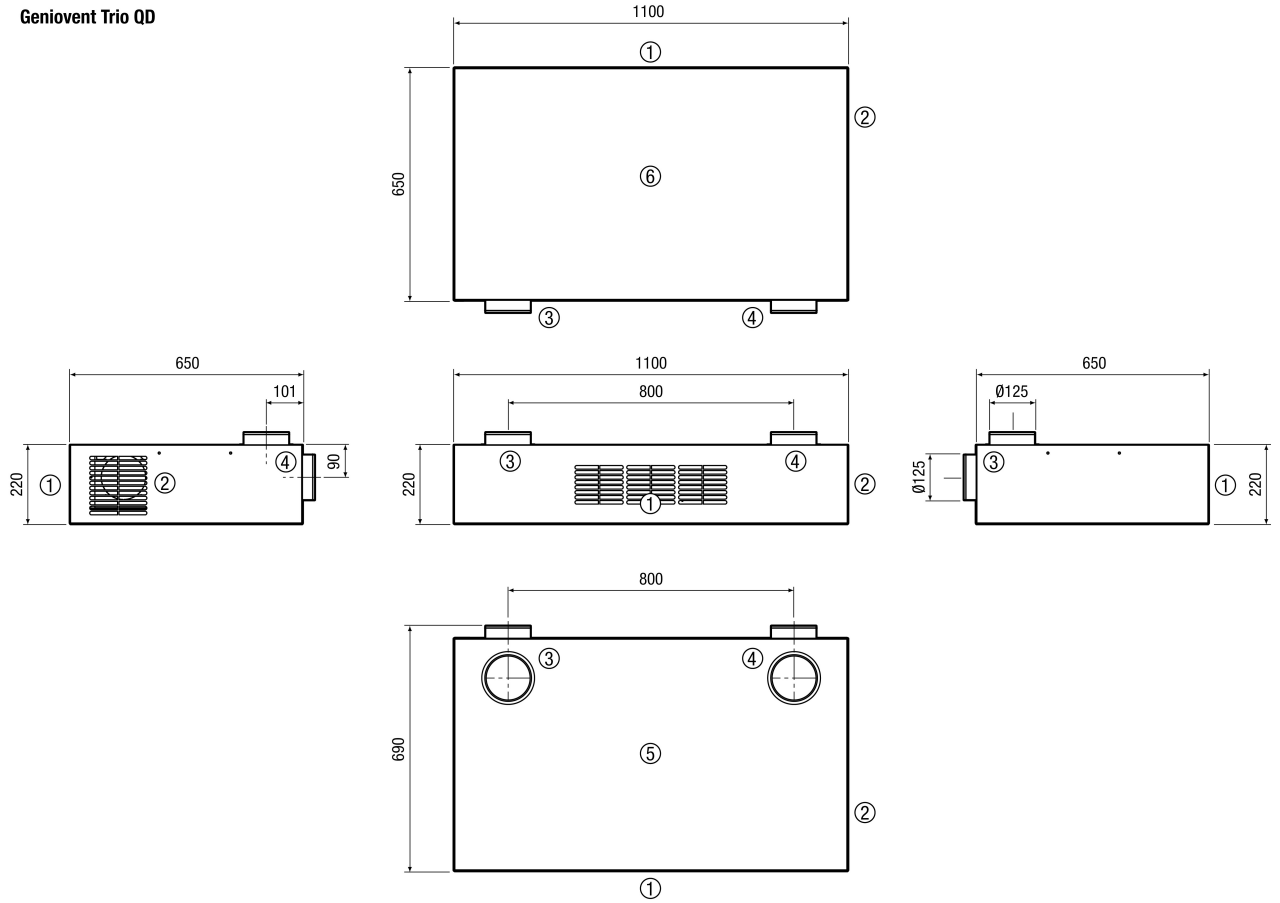
IV = 40 m³/h - 120 m³/h

Essential condition: RV < NV < IV !

Trio QD-AR

Dimensioned drawing [mm]

Geniovent Trio QD



- ① Supply air
- ② Exhaust air
- ③ Outgoing air
- ④ Outside air
- ⑤ View from above
- ⑥ View from below