

USAN55/220/100



Short description

Assymmetric intermediate piece 55/220, where D = 100 mm,

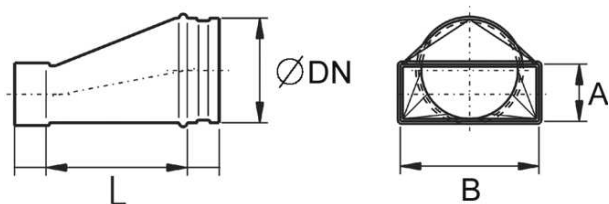
Article number 0055.0660

Technical data

Nominal size	100 mm
Channel dimension	220 mm x x 55 mm
Packing unit	1 piece
Range	K
GTIN (EAN)	4012799556602

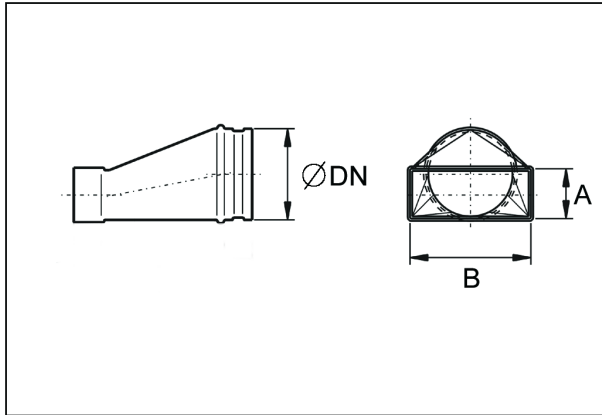
Dimensioned drawing [mm]

DN	A	B
100	55	220



USAN55/220/100

Dimensioned drawing [mm]



DN	A	B
100	55	220