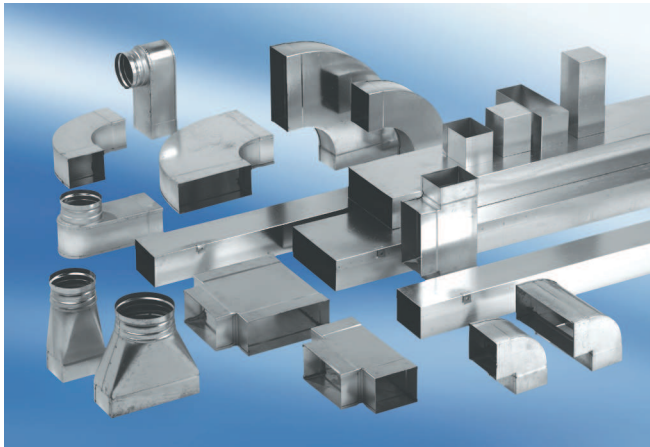


USAN80/100/100



Short description

Asymmetrical transition piece 80/100, where D = 100mm

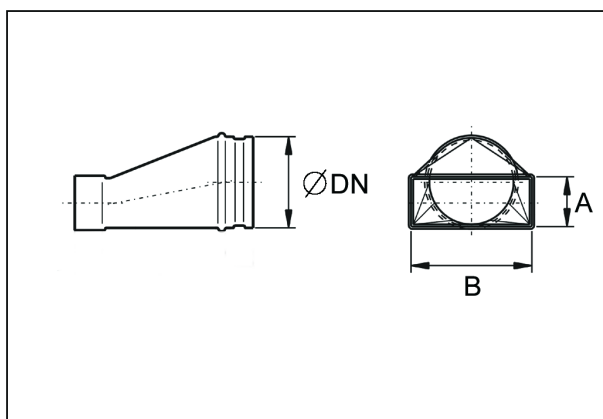
Article number

0055.0666

Technical data

Material	Sheet steel, Sendzimir galvanised
Nominal size	100 mm
Channel dimension	100 mm x x 80 mm
Packing unit	1 piece
Range	K
GTIN (EAN)	4012799556664

Dimensioned drawing [mm]



DN	A	B
100	80	100