

# WH M4012H HC1

## Short description

Water heating coil for attachment to the RLT FLAT 1200. Order necessary with the RLT FLAT central air handling unit.



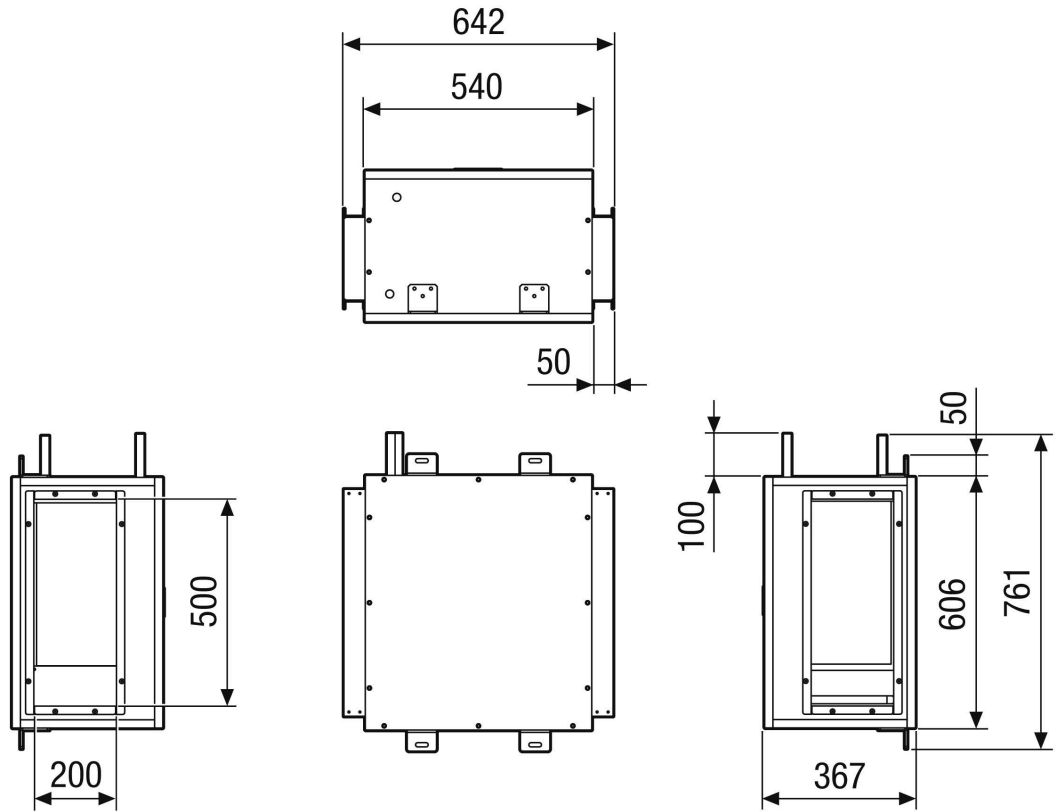
Article number 0043.2832

## Technical data

Medium	Water
Max. operating pressure	
Max. temperature of medium	
Register code	M 25x22-3/8 C S 10T 2R 400A 2.1P 2NC
Installation site	Ceiling
Material	Metal
Colour	Telegray, similar to RAL 7047
Weight	87 kg
Weight including packaging	95,7 kg
Width	642 mm
Height	386 mm
Depth	761 mm
Width with packaging	762 mm
Height with packaging	626 mm
Depth with packaging	881 mm
Heater power rating	2.740 W
Packing unit	1 piece
Range	X
GTIN (EAN)	4012799321316

# WH M4012H HC1

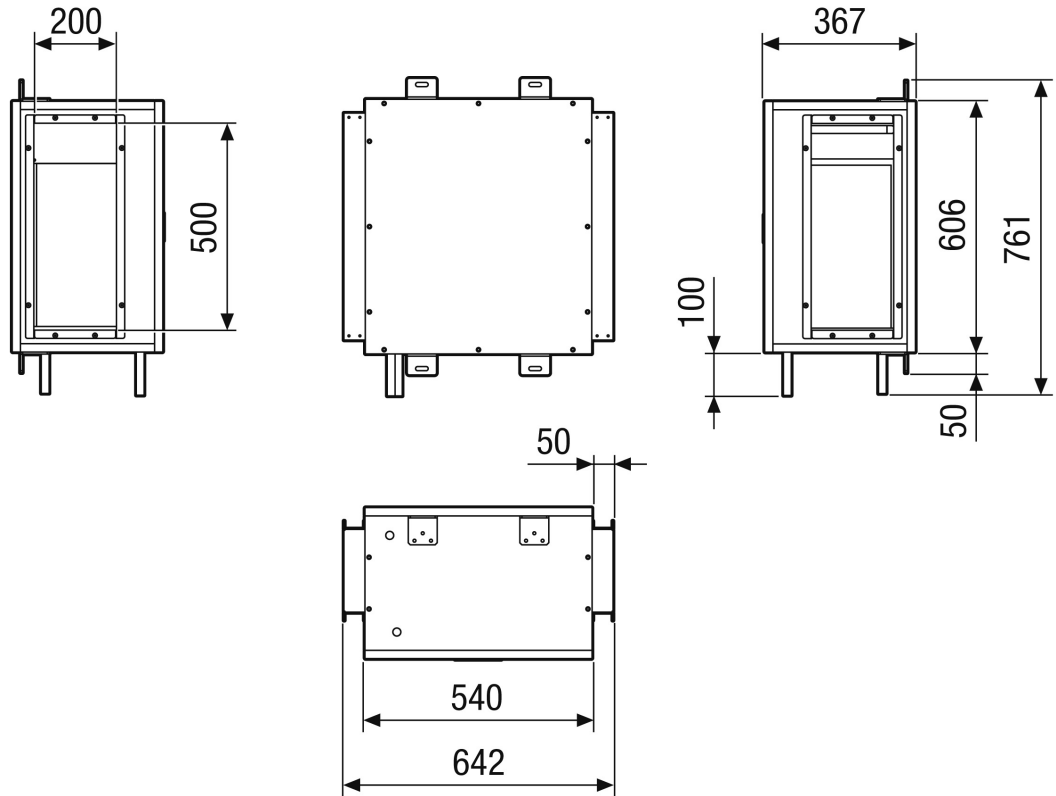
Dimensioned drawing [mm]



Left-hand version

# WH M4012H HC1

Dimensioned drawing [mm]



Right-hand version