

WRG 180 EC



Short description

Centralised ventilation unit with very effective heat recovery through cross-counterflow exchanger, EC motors with constant volumetric flow regulation, 4 x DN 125, passive-energy house approval, 70 - 165 m³/h, KNX connection possible

Application examples

Passive energy house, Low-energy house, Apartment, Waiting room

Article number 0082.0059

Technical data

Number of ventilation levels	3
Air flow volume	70 m ³ /h - 165 m ³ /h
Volumetric flow constant	Yes
Speed controllable	–
Type of voltage	Alternating current
Rated voltage	230 V
Frequency	50 Hz/60 Hz
Power consumption	37 W - 77 W (At 100 Pa counter pressure)
I _{max}	0,8 A
Degree of protection	IP 31
DIBT approval	No
PHI certification	Yes
Installation site	Cellar / Storage tank / Jamb wall / Utility room / Heating room
Housing material	Sheet steel, powder coated
Heat exchanger material	PETG plastic
Colour	Pearl white, similar to RAL 1013
Weight	27,7 kg
Weight including packaging	29 kg
Filter class	G4
Connection diameter	125 mm
Connection diameter of condensation drain	3/4" inside thread
Width	560 mm
Height	600 mm
Depth	315 mm
Width with packaging	730 mm
Height with packaging	360 mm
Depth with packaging	590 mm
Airstream temperature at I _{Max}	50 °C
Degree of heat provision	90 %

WRG 180 EC

Heat exchanger construction type	Cross-counterflow
Bypass	No
Frost protection	External
Antifreeze circuit	Yes
Summer circuit	No
Filter monitoring	time controlled with RLS 2 F
Humidity control	optional with HY 5, HY 5 I, HY 10 AP, HY 10 UP
CO ₂ regulation (optional)	-
Air quality control (optional)	-
KNX connection (optional)	Yes
Control unit included in scope of delivery.	No
Control unit (optional)	RLS 2 F, RLS 3
Wireless switch on/off (optional)	XE 1, XS 1
Housing emission sound pressure level	37 dB(A) (Spacing 1m, sound absorption 10 m ²)
Packing unit	1 piece
Range	K
GTIN (EAN)	4012799820598

Sound power level in octave range

	63 Hz	125 Hz	250 Hz	500 Hz	1 kHz	2 kHz	4 kHz	8 kHz	Total
L_{WA} (dB(A))	-	-	-	-	-	-	-	-	-
L_{WA2}, Level 2 (dB(A))	-	-	-	-	-	-	-	-	39
L_{WA5}, Level 2 (dB(A))	-	-	-	-	-	-	-	-	49
L_{WA6}, Level 2 (dB(A))	-	-	-	-	-	-	-	-	56

L_{WA2}= housing sound power level in dB.

L_{WA5}= free inlet sound power level in dB.

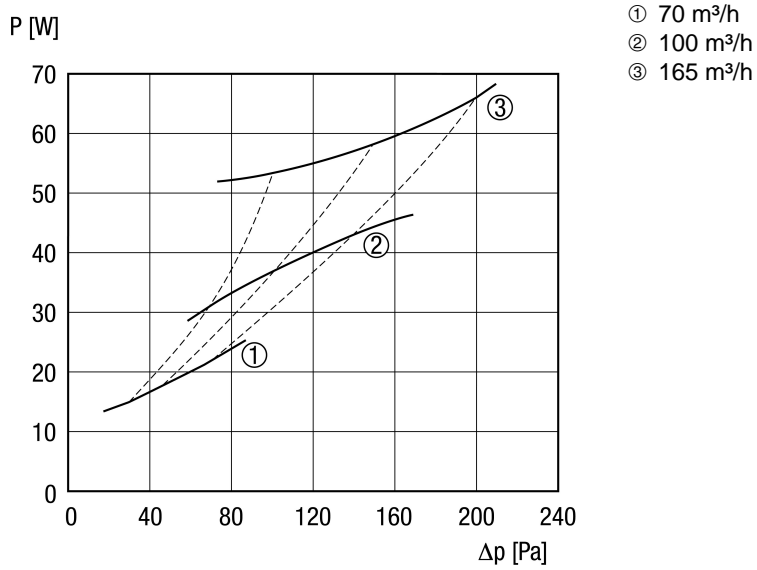
L_{WA6}= free outlet sound power level in dB.

L_{WA5}, L_{WA6} = sound power level emitted to the free surroundings. Measured at a subsequent operating point on the connections facing the room. L_{WA5} Exhaust air connections, L_{WA6} Supply air connections.

Operating point, level 2: Air volume 146 m³/h and external pressure 100 Pa

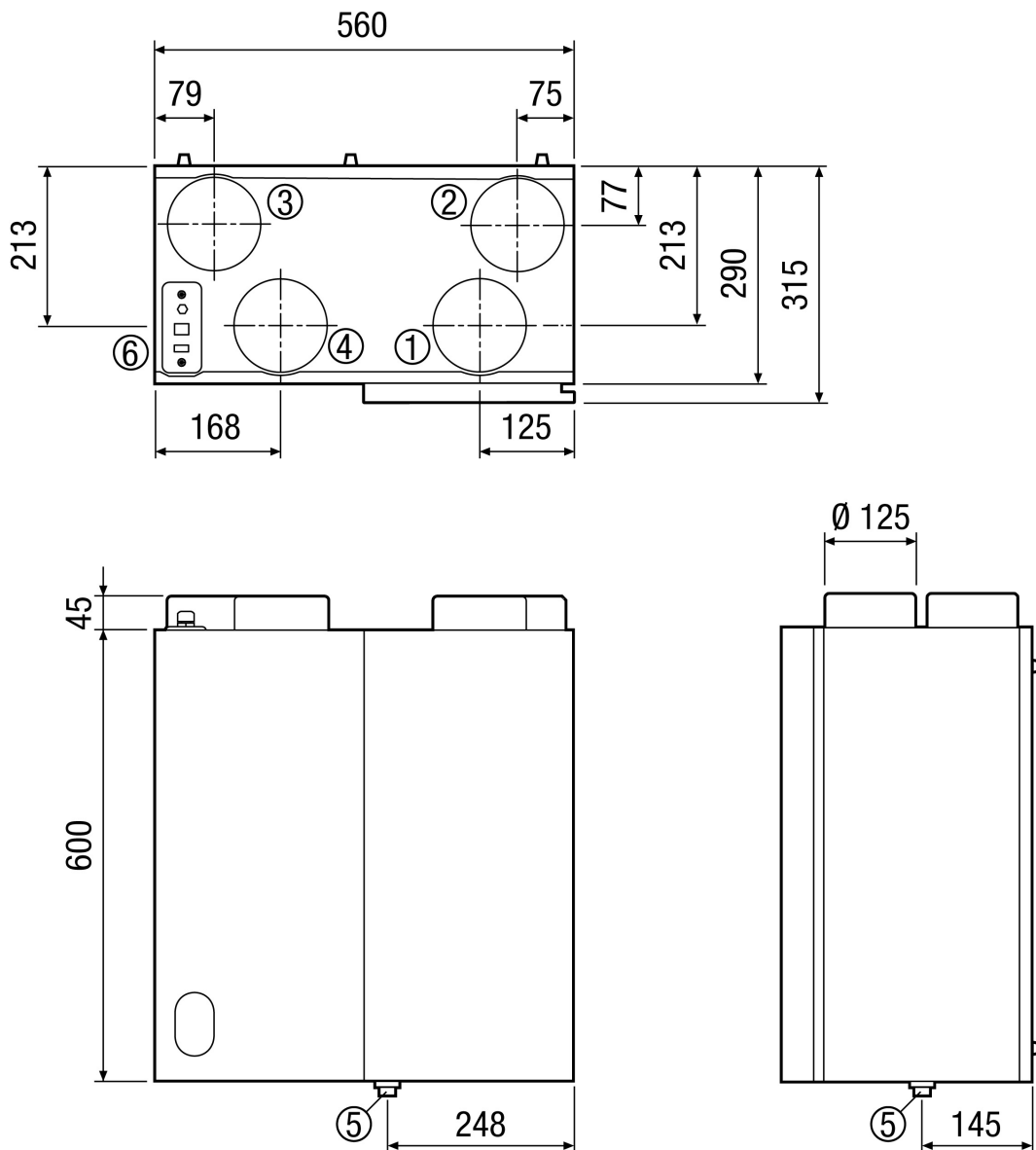
WRG 180 EC

Characteristic curve



WRG 180 EC

Dimensioned drawing [mm]



- ① DN 125 exhaust air
- ② DN 125 outside air
- ③ DN 125 supply air
- ④ DN 125 outgoing air
- ⑤ Condensation connection
- ⑥ Electrical connection