

geniovent.x 600 F R-E-SU-K



Short description

Decentralised RLT air handling unit with very good heat recovery. With enthalpy heat exchanger, outside air and outgoing air connections on right, duct-guided, air outlet at bottom without coated panels (3x2), CO2 sensor integrated in unit. With app for mobile unit control system

Article number 0041.0251

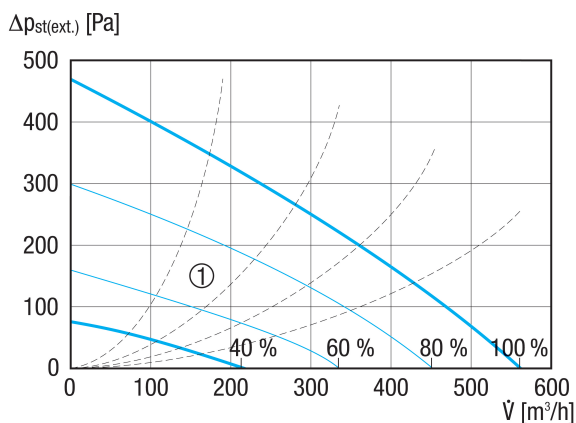
Technical data

| | |
|---|---|
| Air flow volume | 150 m³/h / 560 m³/h |
| SFP value | 0,21 W/(m³/h) |
| Type of voltage | Alternating current |
| Rated voltage | 230 V |
| Frequency | 50 Hz |
| Nominal output | 83 W |
| Stand-by power consumption | < 1 W |
| I _{max} | 14 A |
| Degree of protection | IP 40 |
| Installation site | Inside |
| Material | Sheet steel, galvanised |
| Housing material | Sheet steel, galvanised |
| Heat exchanger material | Synthetic material |
| Inner coating material | Melamine resin foam with fleece |
| Colour | Pure white, similar to RAL 9010 |
| Weight | 200 kg |
| Weight including packaging | 235 kg |
| Filter class | ISO ePM1 50-65% (F7) / ISO ePM10 60% (M5) |
| Connection diameter | 250 mm |
| Connection diameter of condensation drain | 7 mm (inside), 10 mm (outside) |
| Width | 2.100 mm |
| Height | 482 mm |
| Depth | 800 mm |
| Width with packaging | 2.250 mm |
| Height with packaging | 950 mm |
| Depth with packaging | 950 mm |
| Degree of heat provision | 80,5 % |
| Heat exchanger construction type | Enthalpy |

geniovent.x 600 F R-E-SU-K

| | |
|---|---|
| Humidity recovery with enthalpy heat exchanger in accordance with DIN EN 13141-7 (A2) | 69 % |
| Bypass | Yes |
| Frost protection | optional |
| Supplementary heating | optional |
| Enthalpy heat exchanger | Yes |
| Antifreeze circuit | Yes |
| Filter monitoring | with time control |
| CO ₂ regulation (optional) | integrated |
| Smoke gas switch | optional |
| Air quality control (optional) | VOC sensor for geniovent.x |
| Outside air shutters, automatic closing | integrated |
| Presence sensor | PIR motion sensor, optional |
| KNX connection (optional) | K-SM |
| MODBUS interface | integrated |
| BACnet interface | integrated |
| Ethernet interface | integrated |
| Control unit included in scope of delivery. | RB-ZF4 |
| Control unit (optional) | RLS T1 SYS |
| EnOcean wireless integration (optional) | E-SM |
| Sound pressure level | 35 dB(A) (at 0.7 * Vmax and 20 Pa pressure loss each OSA and OGA, with a room attenuation of approx. 11 dB) |
| Packing unit | 1 piece |
| Range | X |
| GTIN (EAN) | 4012799412519 |

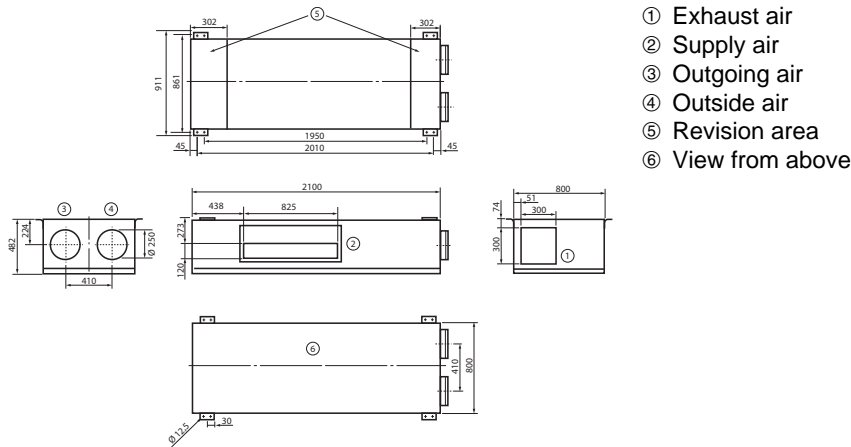
Characteristic curve



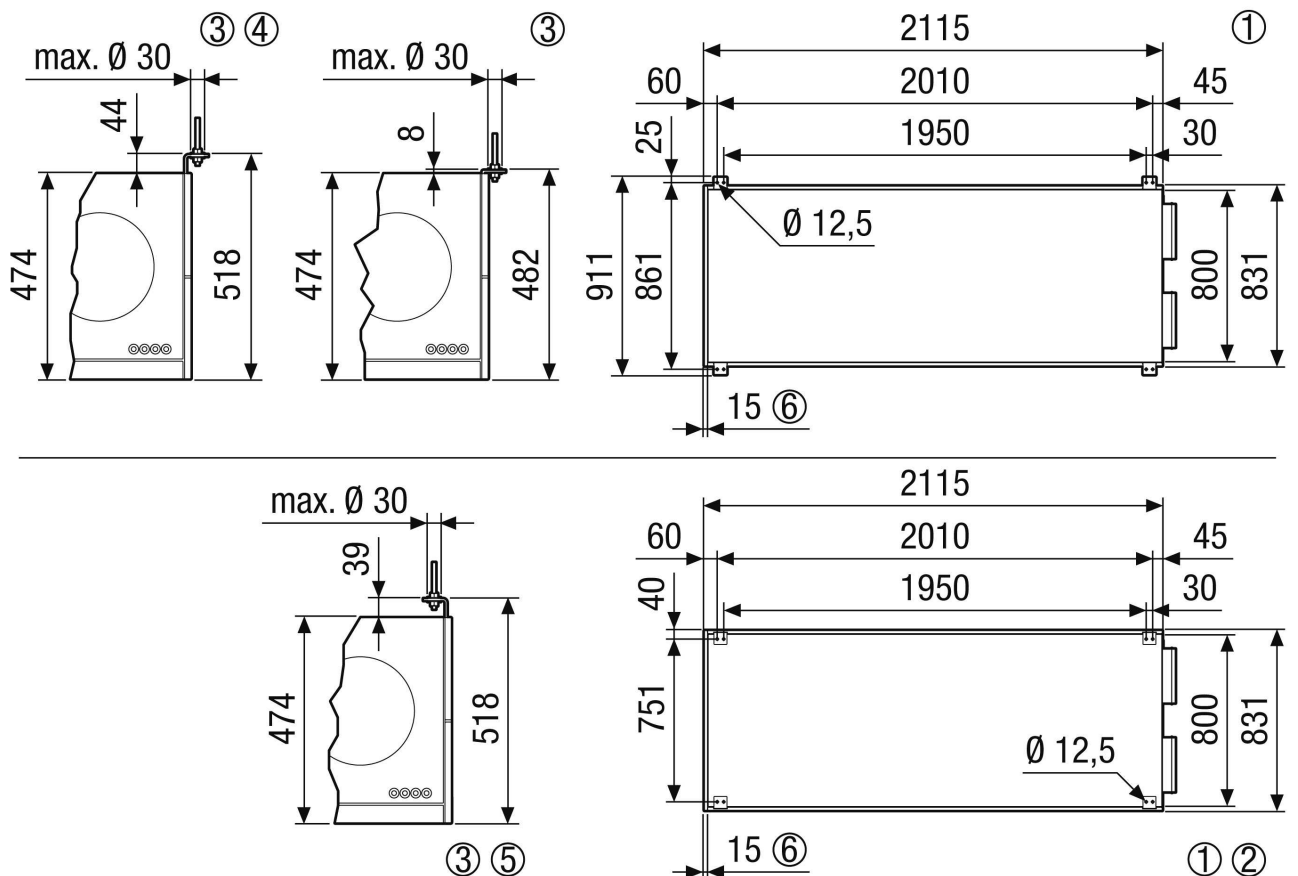
① Configuration range

geniovent.x 600 F R-E-SU-K

Dimensioned drawing [mm]



Dimensioned drawing [mm]





geniovent.x 600 F R-E-SU-K

⑤ Optional, the fixing bracket can be moved up by 36 mm and rotated by 180°.