

# geniovent.x 600 H D-G-SU



## Short description

Decentralised RLT air handling unit with very good heat recovery. With cross-counterflow heat exchanger and pre-heating register, upwards outside and outgoing air connections, outlet at the bottom, fully covered. CO2 sensor integrated in unit. With app for mobile unit control system

## Application examples

Classroom, Day-care centre, Office, Doctor's practice, Shops

Article number 0041.0211

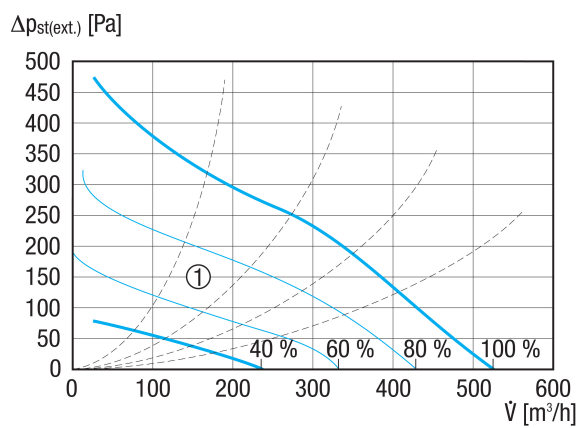
## Technical data

Model	D=Outside air and outgoing air connections upwards to the ceiling / G = Counterflow heat exchanger / SU = partially integrated, supply air and exhaust air grilles at the bottom
Air flow volume	200 m <sup>3</sup> /h / 540 m <sup>3</sup> /h
SFP value	0,21 W/(m <sup>3</sup> /h)
Type of voltage	Alternating current
Rated voltage	230 V
Frequency	50 Hz
Nominal output	84 W
Stand-by power consumption	< 1 W
I <sub>max</sub>	14 A
Degree of protection	IP 40
Installation site	Inside
Material	Sheet steel, galvanised
Housing material	Sheet steel, galvanised
Heat exchanger material	Synthetic material
Inner coating material	PUR foam with closed-cell surface
Colour	Pure white, similar to RAL 9010
Weight	200 kg
Weight including packaging	250 kg
Filter class	ISO ePM1 50-65% (F7) / ISO ePM10 60% (M5)
Connection diameter	250 mm
Connection diameter of condensation drain	7 mm (inside), 10 mm (outside)
Width	1.579 mm
Height	473 mm
Depth	880 mm
Width with packaging	2.070 mm
Height with packaging	950 mm
Depth with packaging	1.020 mm

# geniovent.x 600 H D-G-SU

Airstream temperature at I <sub>Max</sub>	-15 °C up to 60 °C
Ambient temperature	10 °C up to 40 °C
Max. degree of heat provision in accordance with DIN EN 13141-7 (A7)	91 %
Heat exchanger construction type	Counter current
Bypass	Yes
Frost protection	integrated 1.5 kW
Enthalpy heat exchanger	No
Antifreeze circuit	Yes
Filter monitoring	with time control
CO <sub>2</sub> regulation (optional)	integrated
Air quality control (optional)	VOC sensor for geniovent.x
Outside air shutters, automatic closing	integrated
KNX connection (optional)	K-SM
MODBUS interface	integrated
BACnet interface	integrated
Ethernet interface	integrated
Control unit included in scope of delivery.	RB-ZF4
Control unit (optional)	RLS T1 SYS
EnOcean wireless integration (optional)	E-SM
Sound pressure level	35 dB(A)
Packing unit	1 piece
Range	X
GTIN (EAN)	4012799412113

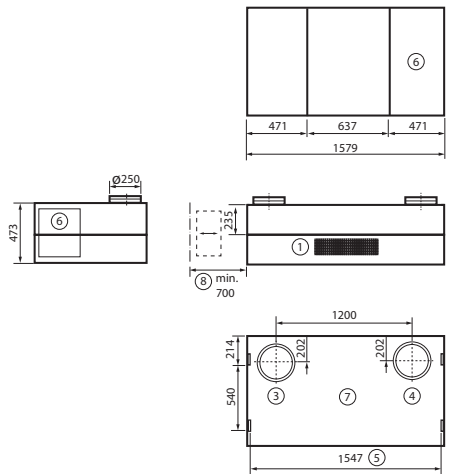
## Characteristic curve



① Configuration range

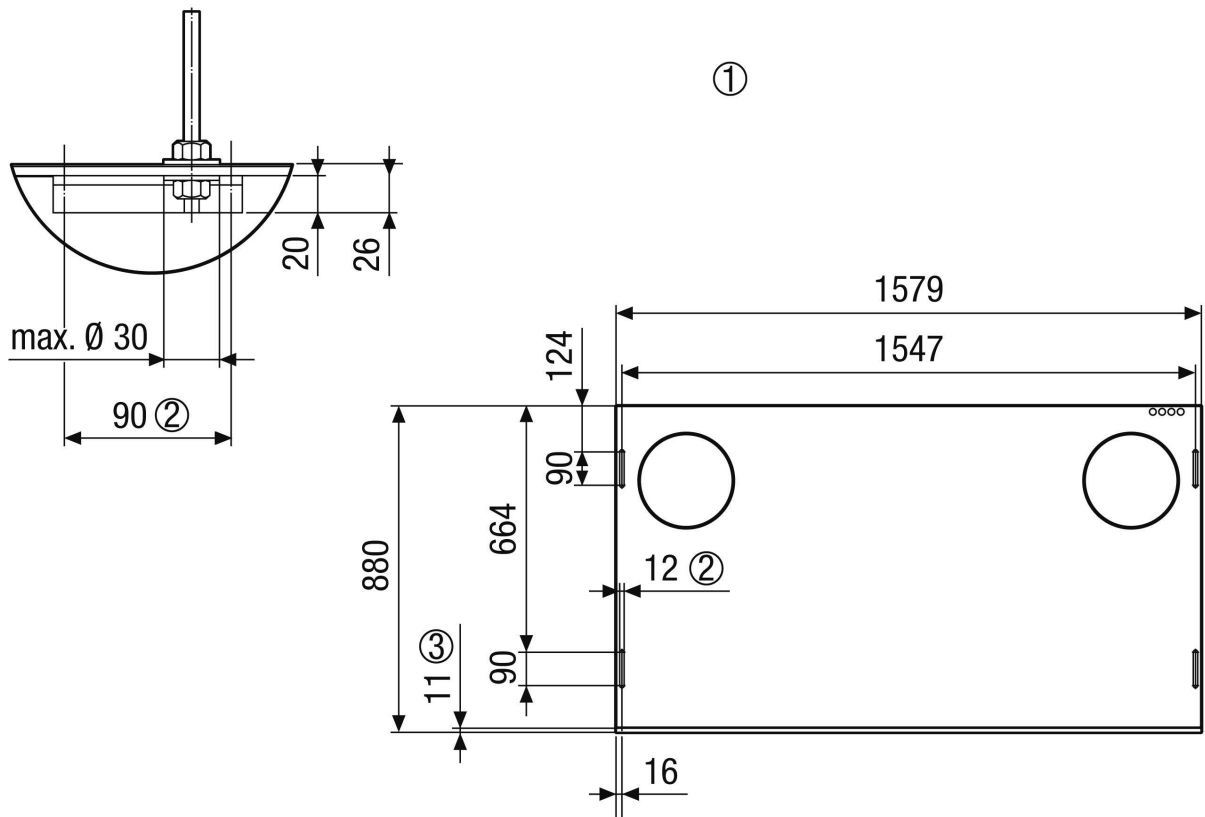
# geniovent.x 600 H D-G-SU

## Dimensioned drawing [mm]



- ① Supply air
- ② Exhaust air
- ③ Outside air
- ④ Outgoing air
- ⑤ Ceiling mounting distance
- ⑥ Access to electrical area
- ⑦ View from above
- ⑧ Access for filter change (maintain a distance of at least 700 mm from the wall)
- ⑨

## Dimensioned drawing [mm]



- ① Ceiling mounting geniovent.x 600 HD. View of the unit from the ceiling
- ② Slotted hole, intended for ceiling mounting, e.g. using M10 threaded rod



# geniovent.x 600 H D-G-SU

③ Panels