

ECA 100 ipro KB

ECA 100 ipro operating programs

Depending on model, the ECA 100 ipro small room fan has 4 operating programs.

Model	Operating programs
Standard	without operating program: can be operated at two levels with standard double switch
VZC - Model with adjustable start delay and overrun time	All 4 operating programs available
F - Model with light control	All 4 operating programs available
H - Model with two-step humidity control	All 4 operating programs available, when using an optional switch, e.g. light switch
B - Model with motion detector	All 4 operating programs available

ECA 100 ipro – Comfort programme

■ In its Comfort programme, the ECA 100 ipro... starts up in the low level (exception: standard models) after an individually adjustable start delay. Only after leaving the room does the fan switch to the high level to completely remove moisture and odours from the bathroom. This overrun time can also be set individually.

Advantages of the Comfort programme:

■ When people are present in the bathroom, you can hardly hear any operating noise, as the ECA 100 ipro is not running at all or only at the low level during this time. The ECA 100 ipro is supplied ex works in the Comfort programme.

- ① DN 125 roof cowl, reducer to DN 100 to be procured on site
- ② AFR 100 flexible aluminium duct
- ③ Condensate collector, procurement on site
- ④ ECA 100 ipro K... small room fan (Exception: standard model)
- ⑤ MLK 45 door ventilation grille

EV – start delay

SB – switching operation

NZ – overrun time

ECA 100 ipro - night program

■ In the night programme, the ECA 100 ipro... (exceptions: standard models) starts up in the high level after an individually adjustable start delay. This is maintained until the person leaves the room. Then the fan switches back to the low level. The overrun time in the low level can also be set individually.

Advantages of the night program:

■ This programme is suited to night-time quiet or for people with problems sleeping. After the bathroom has been used, virtually no operating noise can be heard outside the room.

- ① SG 100 external grille for air extraction
- ② WH 100 wall sleeve
- ③ ECA 100 ipro K... small room fan (exception: standard model)
- ④ MLK 45 door ventilation grille

EV – start delay

SB – switching operation

ECA 100 ipro KB

NZ – overrun time

ECA 100 ipro – Economy programme

- In its Economy programme, the ECA 100 ipro starts up in the low level (exceptions: standard models) after an individually adjustable start delay. This ventilation level is maintained both while the person is present and after leaving the room. The fan only switches off again automatically after an individually adjustable overrun time.

Advantages of the economy programme:

- This programme offers permanent comfort with high economy at the same time.
- The pleasant continuous ventilation ensures continuous air exchange with barely audible operating noise.
- The economy programme is suited to all rooms that are only used occasionally, e.g. in a cellar or hobby rooms.

① ECA 100 ipro K... small room fan (exception: standard model)

② WH 100 wall sleeve

③ SG 100 external grille

④ MLK 45 door ventilation grille

EV – start delay

SB – switching operation

NZ – overrun time

ECA 100 ipro - power program

- The power program is the opposite of the economy programme. The ECA 100 ipro ... starts up in the high level (exceptions: standard models) after an individually adjustable start delay. This intensive ventilation is maintained until the user leaves the room. But even afterwards, the fan continues to ventilate at the high level. As always, the overrun time can be set individually.

Advantages of the power programme:

- This programme ensures high and continuous air exchange.
- Unusually high humidity and odours are reliably removed.
- The power programme can be used wherever large amounts of air need to be quickly extracted in a private environment, e.g. in the anterooms of saunas.

① ECA 100 ipro K... small room fan (exception: standard model)

② WH 100 wall sleeve

③ SG 100 external grille

④ MLK 45 door ventilation grille

EV – start delay

SB – switching operation

NZ – overrun time

Wall mounting of ECA small room fans

Please note the following points when fitting ECA 100 ipro, ECA 150 ipro, ECA piano and ECA 120 series model fans in a wall:

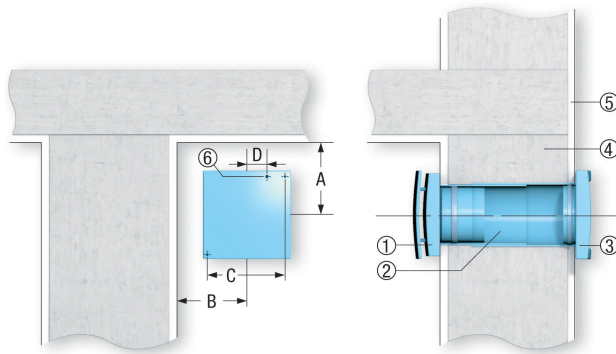
- A minimum distance between the wall and the ceiling must be observed when preparing the wall breakthrough, see diagram.
- Fit a wall sleeve.
- Feed in the connecting cable for surface or recessed mounting.
- ECA 100 ipro and ECA piano only available as recessed-mounted fans.

INSTALLATION INSTRUCTIONS



ECA 100 ipro KB

- Secure the fan using screws during installation.
- The AP shutter prevents cold air from entering when the fan is switched off. Not required with ECA piano and all versions with electrically-operated internal shutter.



- ① ECA fan
- ② WH wall sleeve
- ③ AP outside shutter
- ④ Masonry
- ⑤ Plaster
- ⑥ Cable entry

Ceiling installation with roof cowl

When installing fans in ceilings, of the type series ECA 100 ipro, ECA 150 ipro, ECA piano and ECA 120 with a roof cowl, please observe the following points:

- It is essential to observe the minimum distances to the wall, see also Wall installation.
- Install the wall sleeve or duct.
- Connection cable feed, surface-mounted or flush-mounted.
- ECA 100 ipro and ECA piano, flush-mounted only.
- Drain any condensation in the duct via a siphon. To do this, install a T-piece with siphon (odour trap) in the duct.
- Professional insulation of the duct significantly reduces the build-up of condensation.
- Use a roof cowl with condensation drainage to the outside, see recommended accessories.

- ① ECA 100 ipro K... small room fan
- ② WH ... sleeve
- ③ DN 100, DN 125 or DN 150 duct
- ④ Masonry
- ⑤ Plaster
- ⑥ Insulation
- ⑦ DF/DP roof cowl (DN 125/160, possibly customised on site)
- ⑧ Condensation drainage (siphon), procurement on site