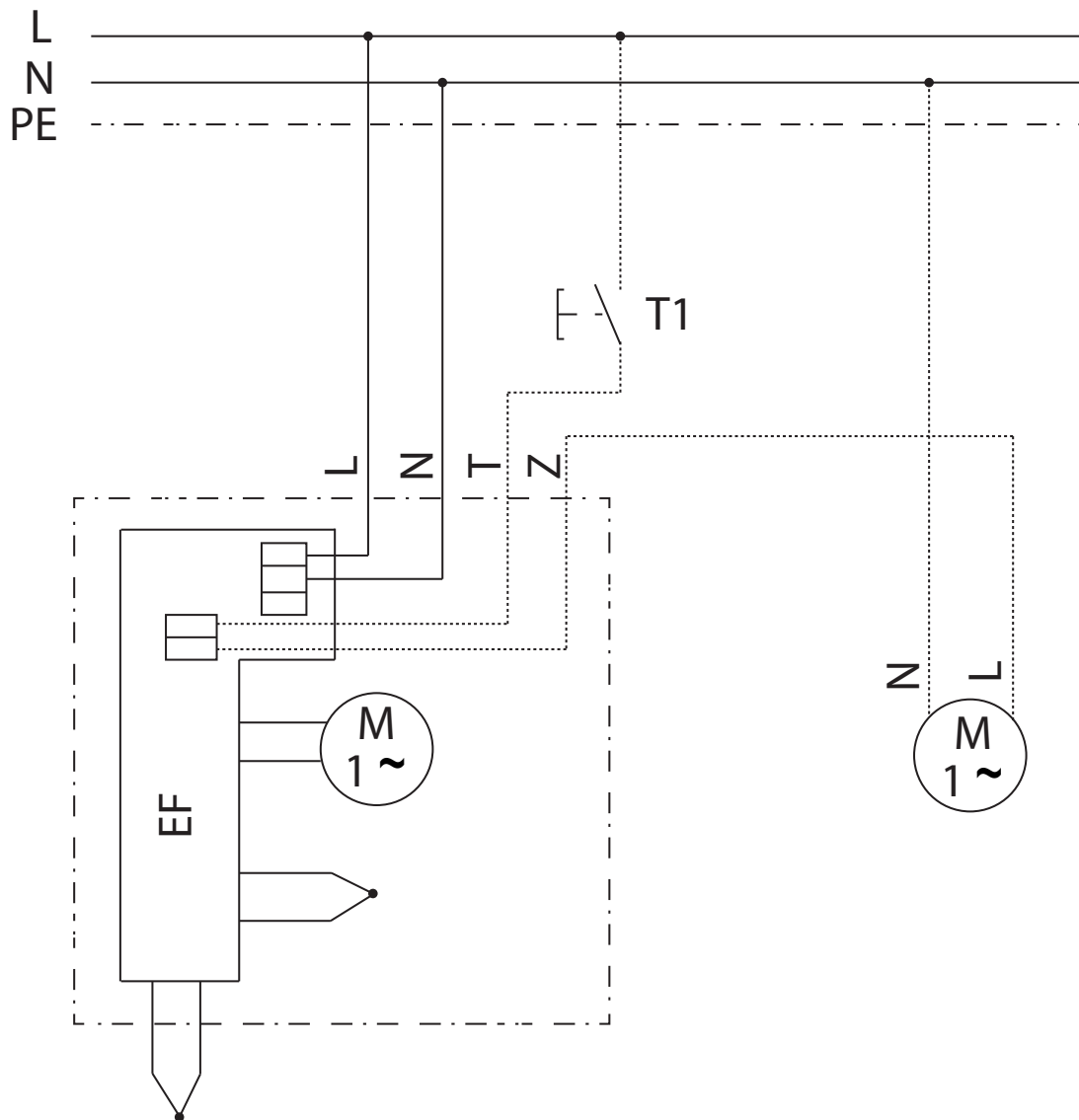


# WIRING DIAGRAM

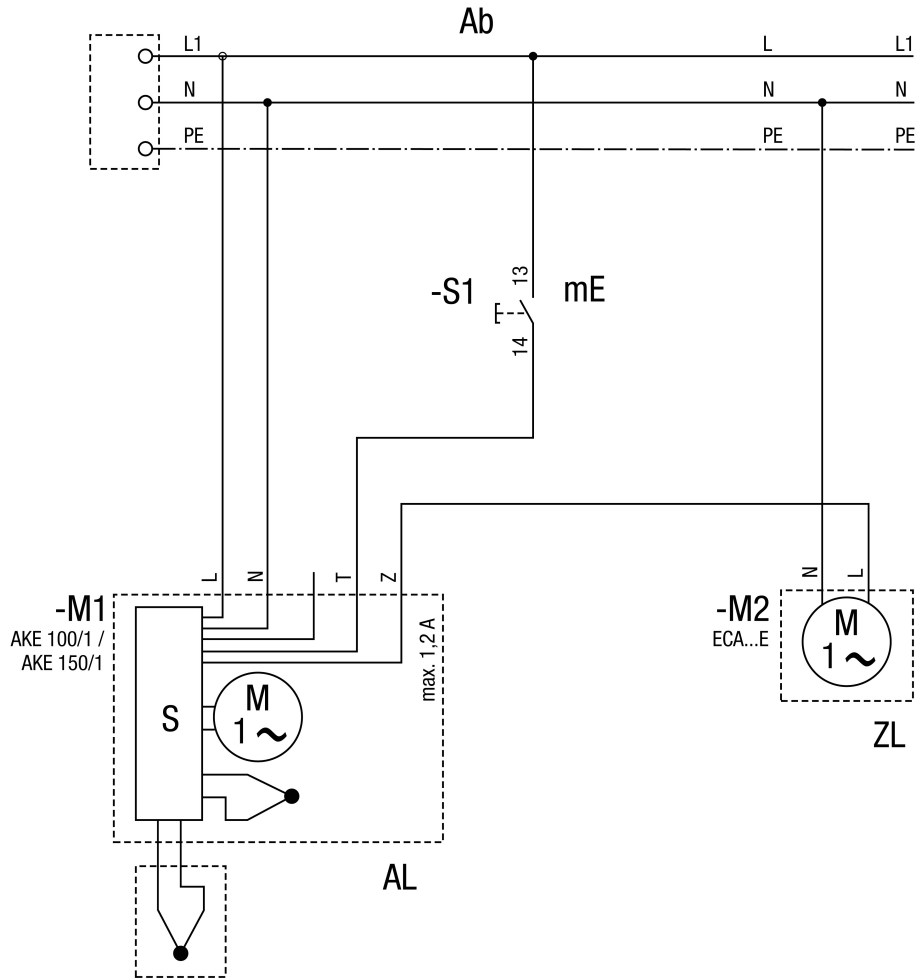
## AKE 100/1



- EF - dehumidification control
- T1 - Optional button for manual operation
- Z - Connection for optional supply air element, e.g. ECA 11 E

# WIRING DIAGRAM

## AKE 100/1



- Ab - Fuse protection provided by customer
- mE - Manual switching-on option
- S - Controller
- AL - Exhaust air
- ZL - Supply air option