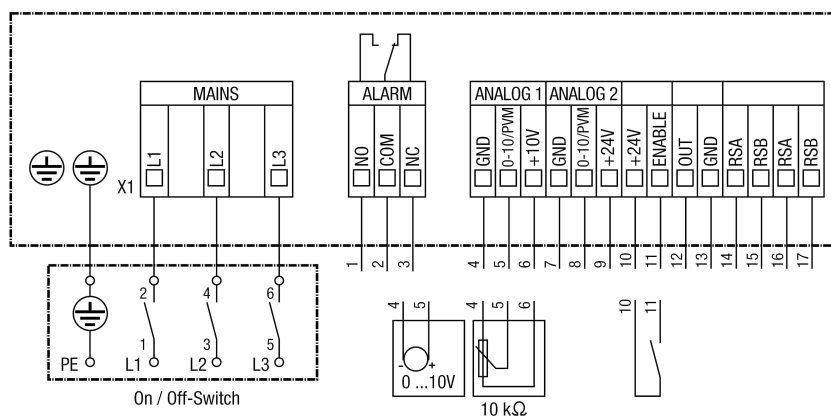


WIRING DIAGRAM

DPK 31-S EC



- L1 Mains
- L2 Mains
- L3 Mains
- 1 Error signal relay Closes in case of error
- 2 Error signal relay Com
- 3 Error signal relay Opens in case of error
- 4 GND
- 5 Setpoint specification
- 6 Voltage output
- 7 GND
- 8 Actual value specification
- 9 Voltage output
- 10 Voltage output
- 11 Enable $\leq 1V$ disabled / $\geq 10V$ enabled (max. 30V) / input resistance 4.7 k Ω
- 12 A-Out speed output
- 13 GND
- 14 RSA A-RS485 MODBUS RTU interface
- 15 RSB B-RS485 MODBUS RTU interface
- 16 RSA A-RS485 MODBUS RTU interface
- 17 RSB B-RS485 MODBUS RTU interface