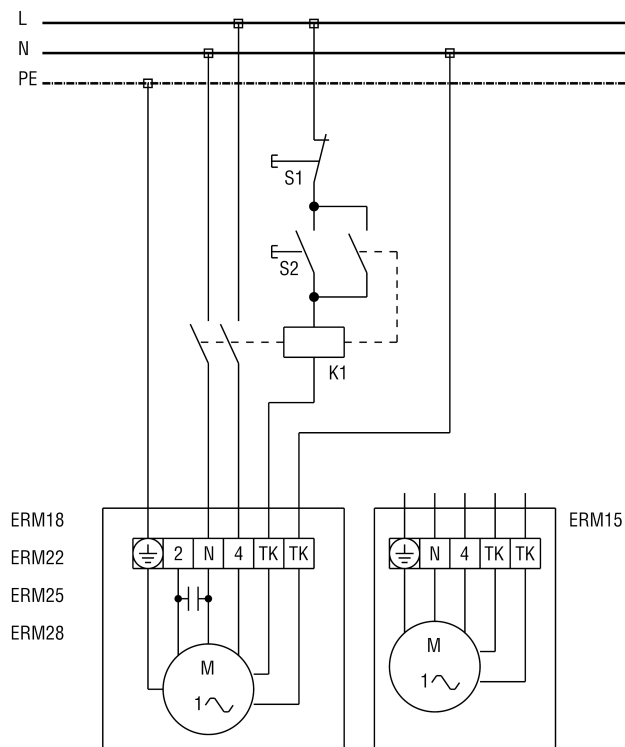


WIRING DIAGRAM

ERM 22

ERM.. with on and off switch



S1 - Off switch (to be supplied by the customer)

S2 - On switch (to be supplied by the customer)

K1 - Contactor US 16 T (to be supplied by the customer)

WIRING DIAGRAM

ERM 22

