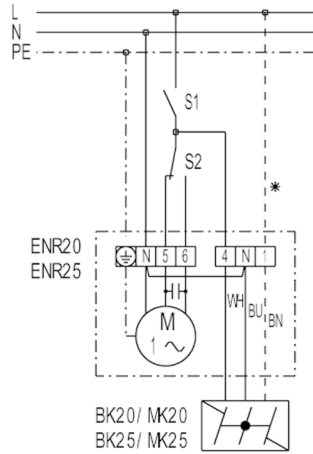


ENR 20, ENR 25, ENR 31 with on/off switch and three-position switch



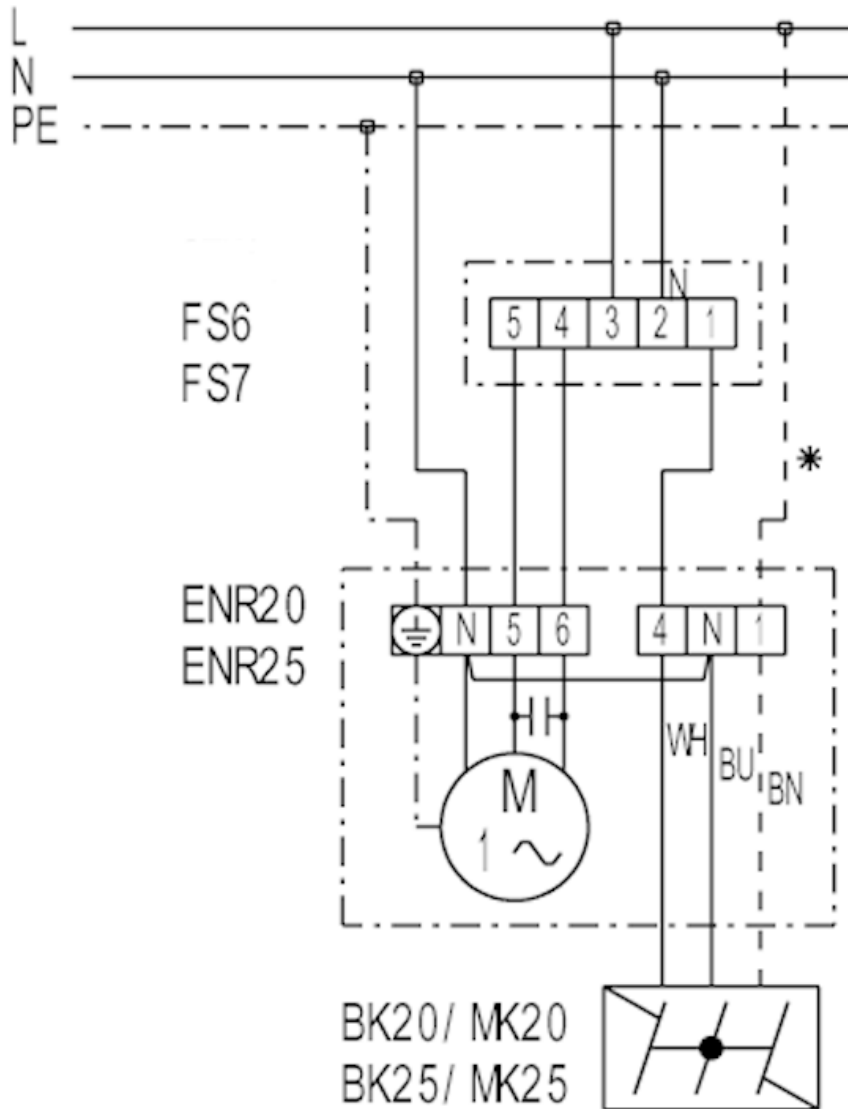
- S1 - On / Off
 - S2 - Switching between air extraction and ventilation
 - Terminal 5 - Air extraction
 - Terminal 6 - Ventilation
 - * - duct only for MK... shutter
-

WIRING DIAGRAM

MK 25



ENR 20, ENR 25, ENR 31 with FS 6, FS 7 reversing switch



FS 6 - Step switch for (2-speed, air extraction or ventilation)

FS 7 - Reversing switch (air extraction or ventilation)

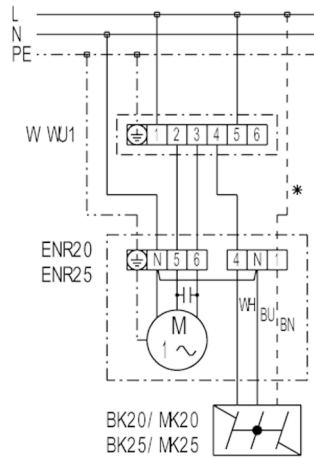
* - duct only for MK... shutter

WIRING DIAGRAM

MK 25



ENR 20, ENR 25, ENR 31 with W 1, WU 1 reversing switch



- W 1 - Reversing switch (air extraction or ventilation), surface-mounted
- WU 1 - Reversing switch (air extraction or ventilation), recessed-mounted
- * - duct only for MK... shutter