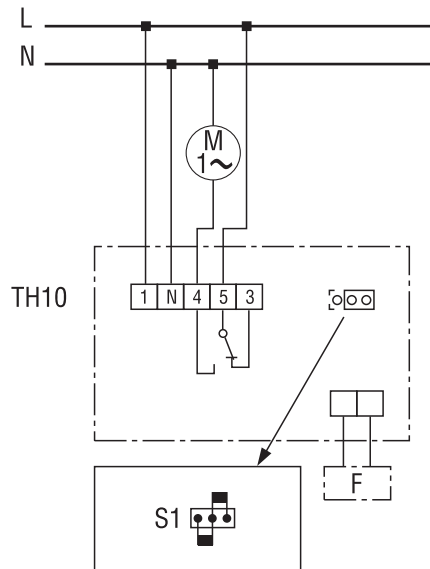


# WIRING DIAGRAM

## TH 10

### TH 10 combined with fan



Terminal 3 - cooling  
Terminal 4 - heating  
R1 - temperature sensor  
M1 - fan