

# WIRING DIAGRAM

## geniovent.x 600 H D-G-SU



### geniovent.x circuit board connection diagram

A2 - CDV Controller

A3 - Mains connection 230V/50Hz/16A Fuse protection to be supplied by the customer

W3 - Connection duct (to be supplied by the customer) for external safety device with potential-free contact 12 V/2 A

X01 - Slot for optional EnOcean/KNX communication plug-in module

ZP1 - Expansion board ZP1 control system of supplementary heater (for units with pre- and re-heater)

# WIRING DIAGRAM

## geniovent.x 600 H D-G-SU



### geniovent.x Connection diagram for condensate pump option

A1 - Condensate pump. Optional. Connection at units with sensitive heat exchanger

A2 - CDV Controller

A3 - Mains adapter. 12 VDC power supply, motion detector optional

V/ZUL - Fan supply air

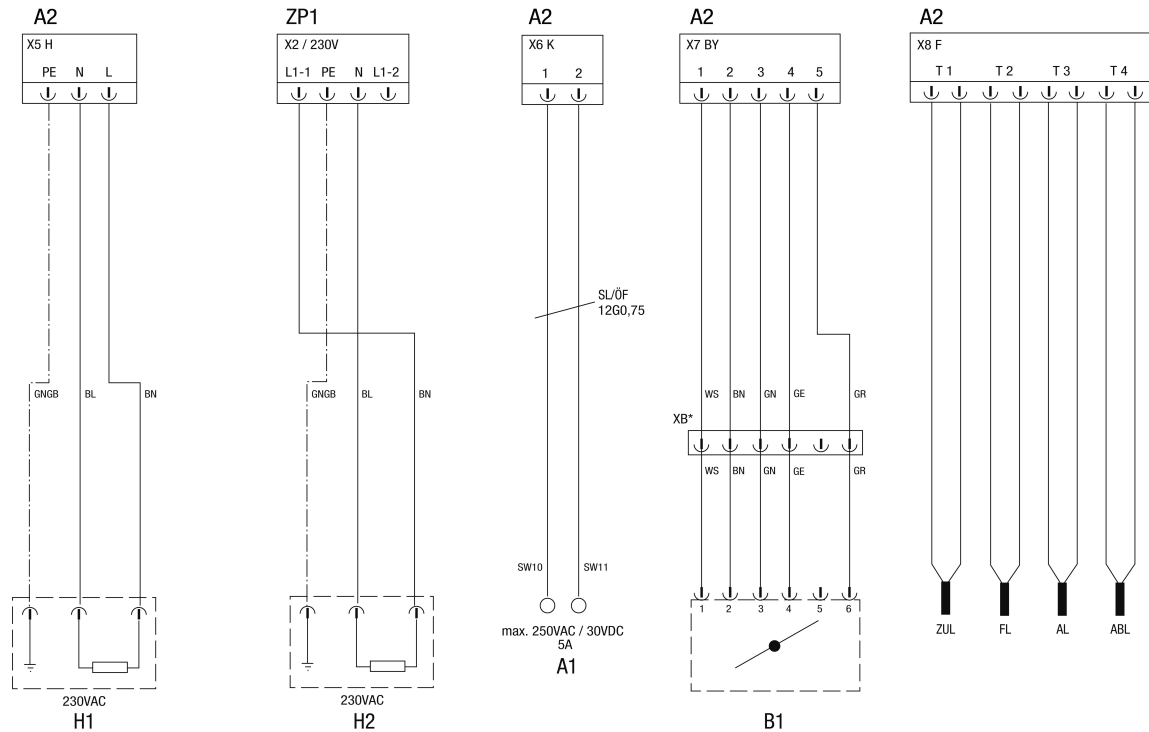
V/ABL - Fan exhaust air

KL/AL - Shutter outside air

KL/FL - Shutter outgoing air

# WIRING DIAGRAM

## geniovent.x 600 H D-G-SU



### geniovent.x Connection diagram for pre-heater, re-heater, bypass drive

- ABL - Exhaust air temperature sensor
- AL - Outside air temperature sensor
- A1 - Signal contact potential-free max. 250VAC / 30VDC, 5A ohmic. Observe configuration!
- A2 - CDV Controller
- BY - Bypass
- B1 - Bypass drive (manufacturer: Bosch)
- F - Sensor
- FL - Outgoing air temperature sensor
- H - heater
- H1 - heater 1 (pre- or re-heater). Optional
- H2 - heater 2 (re-heater). Optional
- K - Contact
- SL - Control cable
- XB\* - Plug connection only at unit variant GVX.S! 5-pin plug connection
- ZP1 - Expansion board ZP1
- ZUL - Supply air temperature sensor

# WIRING DIAGRAM

## geniovent.x 600 H D-G-SU



### geniovent.x Connection diagram for fans, control panel

A1 - Alternative use as ModBus RTU interface. Note configuration! ModBus RTU cannot be combined with RLS T1 SYS!

A2 - CDV Controller

O - Optional

SL - Control cable

SL V/ABL - Control cable for exhaust air fan

SL V/ZUL - control cable for supply air fan

ZP1 - Expansion board ZP1. Control for supplementary heat register (for units with pre- and re-heater)

# WIRING DIAGRAM

## geniovent.x 600 H D-G-SU



### geniovent.x Connection diagram CO<sub>2</sub> and VOC sensor, break button

- A1 - Note sensor input configuration
- A2 - CDV Controller
- A3 - Internal CO<sub>2</sub> sensor
- A4 - External CO<sub>2</sub> sensor, optional
- A5 - External VOC sensor, optional
- A6 - Pause Switch, optional
- S - Sensor
- SL - Control cable
- SL/ÖL - Oilflex control cable

# WIRING DIAGRAM

## geniovent.x 600 H D-G-SU



### geniovent.x Connection diagram External On/Off, BMZ switch-off, KP fault, smoke switch

A1 - Condensate pump malfunction, optional. Connection for appliances with sensitive heat exchangers

A2 - CDV Controller

A3 - Hekatron ORS 144K smoke switch, internal units optional. Power supply via terminals X12

AB/BMZ - BMZ switch-off

F1 - External on/off function, night cooling or flush mode. Release unit / function start via closed potential-free contact.

Note sensor input configuration.

S - Sensor

SL/ÖL - Oilflex control cable

# WIRING DIAGRAM

## geniovent.x 600 H D-G-SU



### geniovent.x Connection diagram for motion detector, control panel, break button, external on/off switch

A1 - Bosch ISC-BPR-W12 motion detector, optional. Power supply via 12VDC power supply unit. Note sensor input 2 configuration. For power supply connection, see page 2.

A2 - CDV Controller

BD - Control panel

F1 - External on/off function, night cooling or flush mode. Release device/function type enabled via closed potential-free contact. Note configuration of sensor input 4.

NT - Mains adapter

PT1 - Pause button optional. Connection of optional components to input. Sensors 3 and 4 only possible if control panel RB ZF 4 is not used. Note configuration of sensor input 3.

S - Sensor

SL - Control cable

SL/ÖL - Oilflex control cable

# WIRING DIAGRAM

## geniovent.x 600 H D-G-SU



### geniovent.x Connection diagram Cable connections Power supply, touch control panel RLS T1 SYS / standard control panel RB ZF 4

- A2 - CDV Controller
- BD - Control panel
- O - Optional
- SL - Control cable
- SV - Power supply

# WIRING DIAGRAM

## geniovent.x 600 H D-G-SU



### geniovent.x Connection diagram Cable connections Optional circuits via control line / USB socket / Ethernet socket

A1 - Connection (SW3-SW9) for external sensors/contacts. For component-dependent assignment, see sheets 5, 6, 7.

Information: When connecting external sensors using wires SW3-SW9, the wires must be connected on the controller side!

A2 - CDV Controller

AS BMZ - Switch-off BMZ

ET/BU – Ethernet/RJ45 socket maico@home/BACnet TCP/ModBus TCP

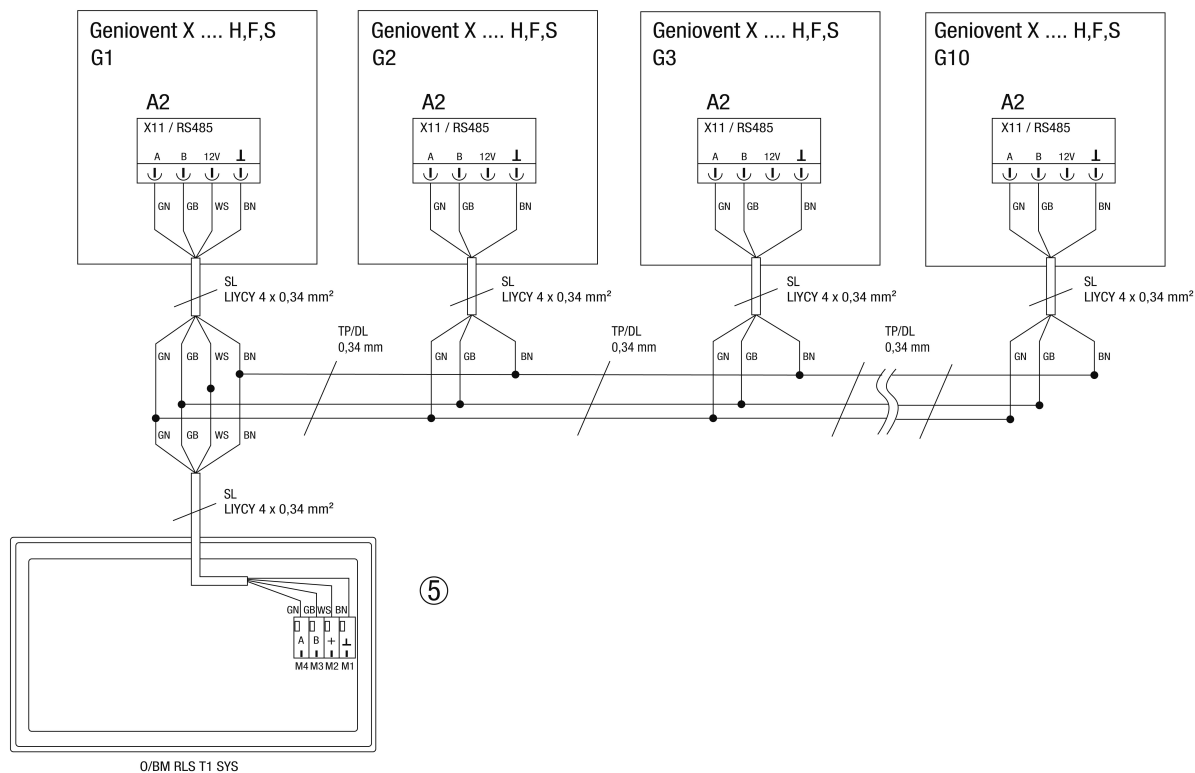
ME1 - Signal contact potential-free max. 250VAC / 30VDC, 5A ohmic. Please note the configuration!

PK - Patch cable extension Cat 5

SL - Control cable

USB IS - USB / socket commissioning software

VL - Extension



### geniovent.x Connection diagram for RLS T1 SYS touch control panel for connecting multiple devices (1 to 10 devices)

A2 - CDV Controller

G - Device

SL - Control cable

TP/DL – Twisted pair data cable

O/BM - RLS T1 SYS. Optional bus master unit

5 - At using the RLS T1 SYS control panel as the system control panel, the maximum length of the RS-485 data cable must be limited to 500 metres.

A maximum of 10 ventilation units can be controlled via an RLS T1 SYS.

At use of the RLS T1 SYS as a system control panel, refer to the operating instructions for the necessary device settings.

In the event of communication disturbances, the data lines (A, B) at both ends must be terminated with 120 ohm resistors.